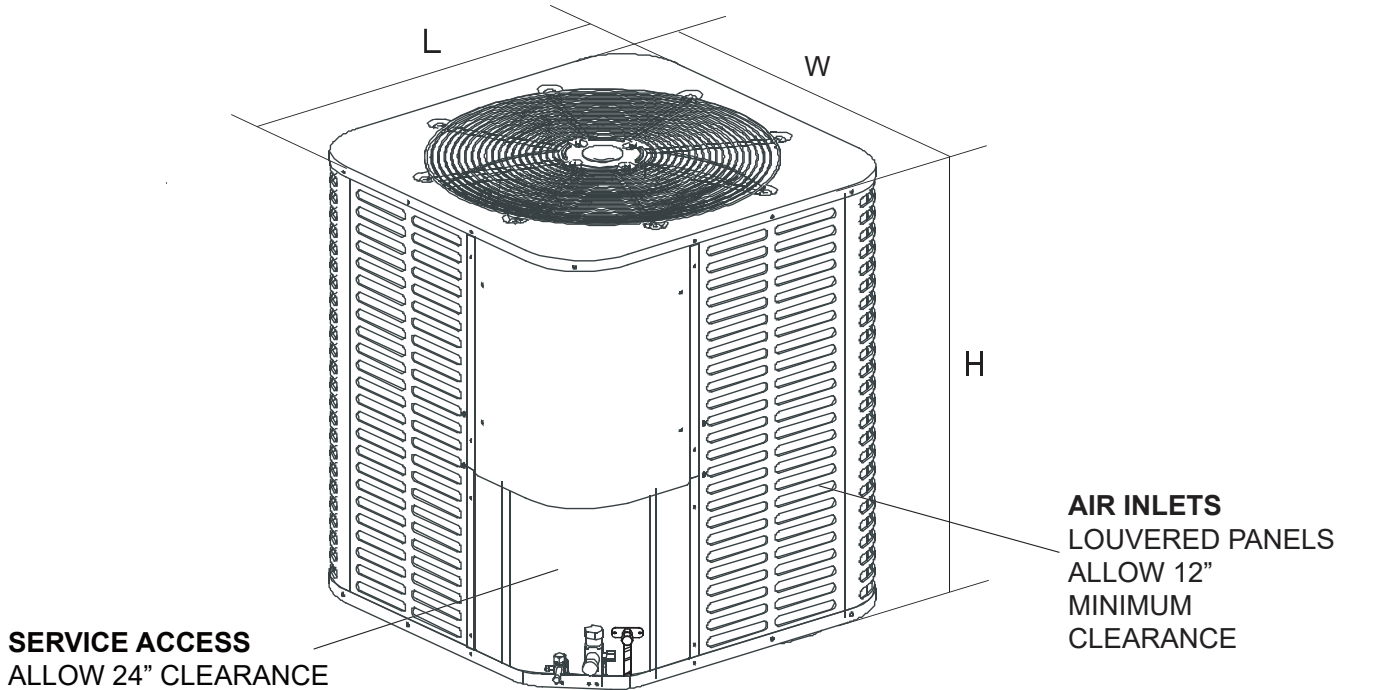
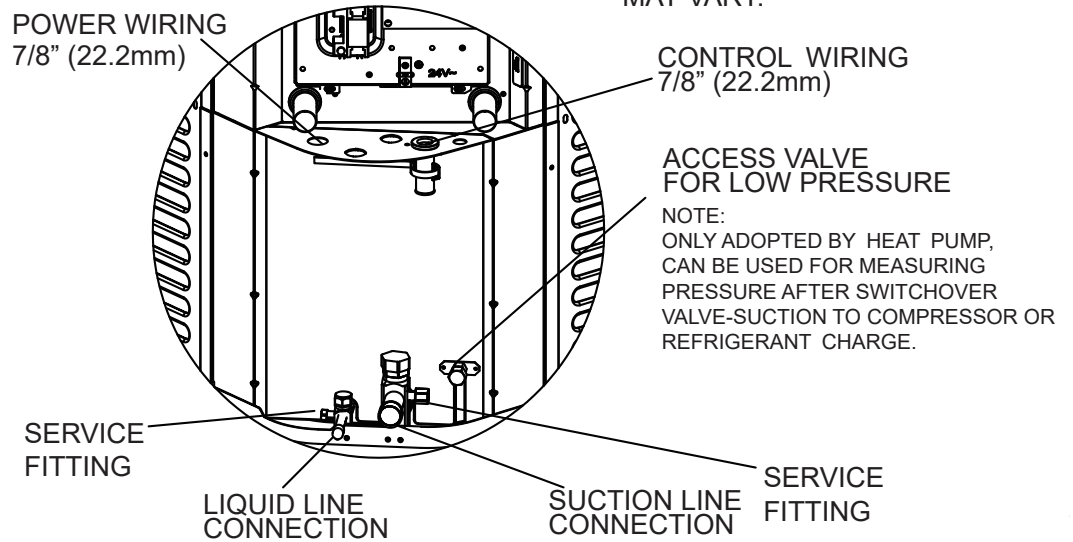


Submittal

RSA1442S1A - Split System Air Conditioner



NOTE: GRILL APPEARANCE
MAY VARY.

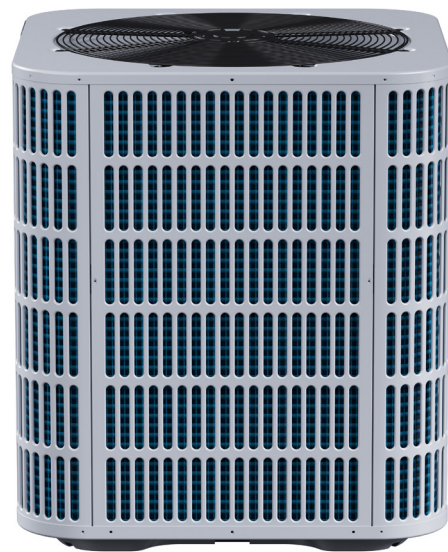


Note: All dimensions are in mm/inches.

RSA1442S1A	H	W	L	Liquid Valve Size	Gas Valve Size
	843 (33-3/16)	710 (28)	710 (28)	3/8	3/4

PRODUCT SPECIFICATIONS:

MODEL	RSA1442S1A
Power Conns. — V/Ph/Hz	208-230/1/60
Min. Brch. Cir. Ampacity	24.8
Br. Cir. Prot. RTG. — Max. (Amps)	40
Compressor	Scroll
No. Used - No. Speeds	1 - 1
Volts/Ph/Hz	208-230/1/60
R.L. Amps - L.R. Amps	18.5/112.3
Factory Installed	
Start Components	No
Insulation/Sound Blanket	No
Compressor Heat	No
Outdoor Fan/Motor	Propeller/PSC
Dia. (In.) - No. Used	23-1/16 - 1
Type Drive - No. Speeds	Direct - 1
CFM @ 0.0 In. W.G.	3700
No. Motors — H.P.	1 - 1/3
Motor Speeds R.P.M.	1075
Volts/Ph/Hz	208-230/1/60
F.L. Amps	1.7
Outdoor Coil — Type	Plate Fin
Rows - F.P.I.	2 - 21
Face Area (Sq. Ft.)	17.4
Tube Size (In.)	3/16
Refrigerant	R-410A
lbs. — R-410 (O.D. Unit)	7 lbs -9 Oz
Factory Supplied	Yes
Line Size - In. O.D. Gas	3/4
Line Size - In. O.D. Liq.	3/8
Charging Specification Superheat	9° F
DIMENSIONS	H x W x D
Crated (In.)	34-1/2x 29 x 29
Shipping (Lbs.) / Net (Lbs.)	218/191



Submittal RSA1442S1A

STANDARD FEATURES:

- R410A chlorine-free refrigerant
- Energy-efficient compressor
- Internal protection against high temperature motor overload conditions
- High quality copper tube and aluminum fin condenser
- Service valves with sweat connections and easy-access gauge ports
- Factory-installed high pressure switch and low pressure switch
- AHRI certified and ETL listed
- Filter drier included

CABINET FEATURES:

- Unique top design for sound control
- Compact design, easy installation, and transportation
- Powder-coated galvanized steel cabinet
- Wire fan grille
- Steel louver coil guard