

# CMA15\*\*SA Series



## FEATURES

Horizontal discharge condenser is compact in size with an alternative footprint to fit in tight spaces without detracting from landscaping and outdoor living areas. This also makes it great for apartment complexes and condominiums.

- New variable capacity inverter compressors
- DOE 2023 Compliant in all States: Minimum 15.2 SEER2 in all models
- Less expensive than traditional top-discharge condensing units
- Compact design coupled with standard wall brackets allow for multiple condensing units in the same footprint – ideal for light-commercial applications
- Ultra quiet operation-rated as low as 57 decibels
- Attractive cabinet is galvanized steel with powder coated finish for durability, in attractive neutral color
- Low voltage 24V control system for universal use
- Bio-engineered fan blade designed for efficient, quiet operation
- R410A refrigerant

## HORIZONTAL DISCHARGE CONDENSER

1 to 4 Tons

Six models to choose from  
12,000 to 48,000 BTUH



## COOLING

5°F (-15°C) – 122°F (50°C)



**Full line of AHRI matches to obtain the highest possible of efficiencies.**

*AHRI reference numbers included on page 2.*



**Warranty**—7 years on compressor, 5 year on parts  
(Some limitations apply; see printed warranty for details.)

[www.marsdelivers.com](http://www.marsdelivers.com)

**CMA15\*\*SA SERIES HORIZONTAL CONDENSER**

**1=208/230V-1-60**

SPECIFICATIONS	CMA1512SA-1	CMA1518SA-1	CMA1524SA-1	CMA1530SA-1	CMA1536SA-1	CMA1548SA-1
Nom. Cooling Capacity (BTUH)	12,000	18,000	24,000	30,000	36,000	48,000
Ambient Operation Temp.	5-122	5-122	5-122	5-122	5-122	5-122
Operation Sound Level dB(A)	57	57	61.5	62.5	62.5	65
Outdoor Airflow CFM	1,279	1,279	3,000	3,000	3,000	4,500
<b>ELECTRICAL</b>						
Cooling Amps	4.2	6.8	9.0	10	12.88	22
Min. Circuit Ampacity	15.0	15.0	20.0	25.0	25.0	32.0
Max. Fuse/HACR Circuit Breaker	20.0	20.0	30.0	30.0	30.0	50.0
<b>SYSTEM COMPONENTS</b>						
Compressor Type	Inverter					
Condenser	Copper/Aluminum Fin & Tube					
<b>LINE SET SPECIFICATIONS</b>						
Liquid Line (inch) (sweat)	3/8	3/8	3/8	3/8	3/8	3/8
Suction Line (inch) (sweat)	3/4	3/4	3/4	3/4	3/4	7/8
Max. Ref. Pipe Length	164	164	164	164	213	213
Max. Difference in Elevation <sup>1</sup>	82	82	82	98	98	98
<b>PHYSICAL CHARACTERISTICS</b>						
Dimensions (in.) W x H x D	38 x 26.50 x 13.25	38 x 26.50 x 13.25	40.5 x 31.89 x 16.14	40.5 x 31.89 x 16.14	40.5 x 31.89 x 16.14	41.15 x 52.48 x 16.34
Net Wt/Shipping Wt (lbs)	83.77/92.59	83.77/92.59	116.40/127.21	146.61/157.85	146.61/157.85	212.52/244.27

**NOTES:**

<sup>1</sup> Oil traps must be installed every 10 feet when outdoor unit is installed above indoor unit.



**12,000, 18,000, 24,000, 30,000, 36,000 BTUH**



**48,000 BTUH**

**CMA15\*\*SA SERIES HORIZONTAL CONDENSER**

**1=208/230V-1-60**

OUTDOOR MODEL	INDOOR MODEL	TXV KIT WHERE NEEDED	COOLING PERFORMANCE			REFRIGERANT CONNECTION				REFRIGERANT LINE SIZE		AHRI REFERENCE NUMBERS
			SEER2	EER2	AHRI CAPACITY	OUTDOOR (SWEAT)		INDOOR (SWEAT)		SUCTION	LIQUID	
	SUCTION					LIQUID	SUCTION	LIQUID				
<b>CMA1512SA-1</b>	(C,M) CG1824P(A,B,C)1P+TXV+TD	H4TXV01	16	11.7	18,000	3/4	3/8	3/4	3/8	3/4	3/8	214569248
	(C,M)CG1824T(A,B,C)1P+TD		16	11.7	18,000	3/4	3/8	3/4	3/8	3/4	3/8	214569249
	(C,M) CG2430P(A,B,C)3P+TXV+TD	H4TXV01	16	11.7	18,000	3/4	3/8	3/4	3/8	3/4	3/8	214569250
	(C,M)CG2430T(A,B,C)3P+TD		16	11.7	18,000	3/4	3/8	3/4	3/8	3/4	3/8	214569251
	MCD18/24B1A		16	11.7	18,000	3/4	3/8	3/4	3/8	3/4	3/8	214383428
<b>CMA1518SA-1</b>	(C,M) CG1824P(A,B,C)1P+TXV+TD	H4TXV01	16	11.7	18,000	3/4	3/8	3/4	3/8	3/4	3/8	214569262
	(C,M)CG1824T(A,B,C)1P+TD		16	11.7	18,000	3/4	3/8	3/4	3/8	3/4	3/8	214569263
	(C,M) CG2430P(A,B,C)3P+TXV+TD	H4TXV01	16	11.7	18,000	3/4	3/8	3/4	3/8	3/4	3/8	214569264
	(C,M)CG2430T(A,B,C)3P+TD		16	11.7	18,000	3/4	3/8	3/4	3/8	3/4	3/8	214569265
	MCD18/24B1A		16	11.7	18,000	3/4	3/8	3/4	3/8	3/4	3/8	214383429
<b>CMA1524SA-1</b>	(C,M) CG1824P(A,B,C)1P+TXV+TD	H4TXV01	16	11	24,000	3/4	3/8	3/4	3/8	3/4	3/8	214584537
	(C,M)CG1824T(A,B,C)1P+TD		16	11	24,000	3/4	3/8	3/4	3/8	3/4	3/8	214584538
	(C,M) CG2430P(A,B,C)3P+TXV+TD	H4TXV01	16	11	24,000	3/4	3/8	3/4	3/8	3/4	3/8	214584539
	(C,M)CG2430T(A,B,C)3P+TD		16	11	24,000	3/4	3/8	3/4	3/8	3/4	3/8	214584540
	MCD18/24B1A		16.5	11.4	24,000	3/4	3/8	3/4	3/8	3/4	3/8	214412204
<b>CMA1530SA-1</b>	(C,M) CG30P(A,B,C)5P+TXV+TD	H4TXV02	15.2	11.5	29,800	3/4	3/8	3/4	3/8	3/4	3/8	214569276
	(C,M)CG30T(A,B,C)5P+TD		15.2	11.5	29,800	3/4	3/8	3/4	3/8	3/4	3/8	214569277
	(C,M) CG36P(A,B,C)7P+TXV+TD	H4TXV02	15.2	11.5	30,000	3/4	3/8	3/4	3/8	3/4	3/8	214569278
	(C,M)CG36T(A,B,C)7P+TD		15.2	11.5	30,000	3/4	3/8	3/4	3/8	3/4	3/8	214569279
	MCD30/36C1A		15.2	11.5	30,000	3/4	3/8	3/4	3/8	3/4	3/8	214383430
<b>CMA1536SA-1</b>	(C,M) CG3036P(A,B,C)4P+TXV+TD	H4TXV02	15.2	10.5	31,800	3/4	3/8	3/4	3/8	3/4	3/8	214569281
	(C,M)CG3036T(A,B,C)4P+TD		15.2	10.5	31,800	3/4	3/8	3/4	3/8	3/4	3/8	214569282
	(C,M) CG36P(A,B,C)7P+TXV+TD	H4TXV02	15.3	11.0	32,600	3/4	3/8	3/4	3/8	3/4	3/8	214569284
	(C,M)CG36T(A,B,C)7P+TD		15.3	11.0	32,600	3/4	3/8	3/4	3/8	3/4	3/8	214569285
	MCD30/36C1A		15.3	11.0	32,600	3/4	3/8	3/4	3/8	3/4	3/8	214383431
<b>CMA1548SA-1</b>	(C,M) CG4248P(B,C,D)8P+TXV+TD	H4TXV02	15.2	10.5	43,000	7/8	3/8	7/8	3/8	7/8	3/8	214569287
	(C,M)CG4248T(B,C,D)8P+TD		15.2	10.5	43,000	7/8	3/8	7/8	3/8	7/8	3/8	214569288
	(C,M)CG48P(B,C,D) FP+TXV+TD	H4TXV02	15.5	11.0	44,000	7/8	3/8	7/8	3/8	7/8	3/8	214569297
	(C,M)CG48T(B,C,D)FP+TD		15.5	11.0	44,000	7/8	3/8	7/8	3/8	7/8	3/8	214569298
	MCD60D1A		15.5	11.0	44,000	7/8	3/8	7/8	3/8	7/8	3/8	214383432

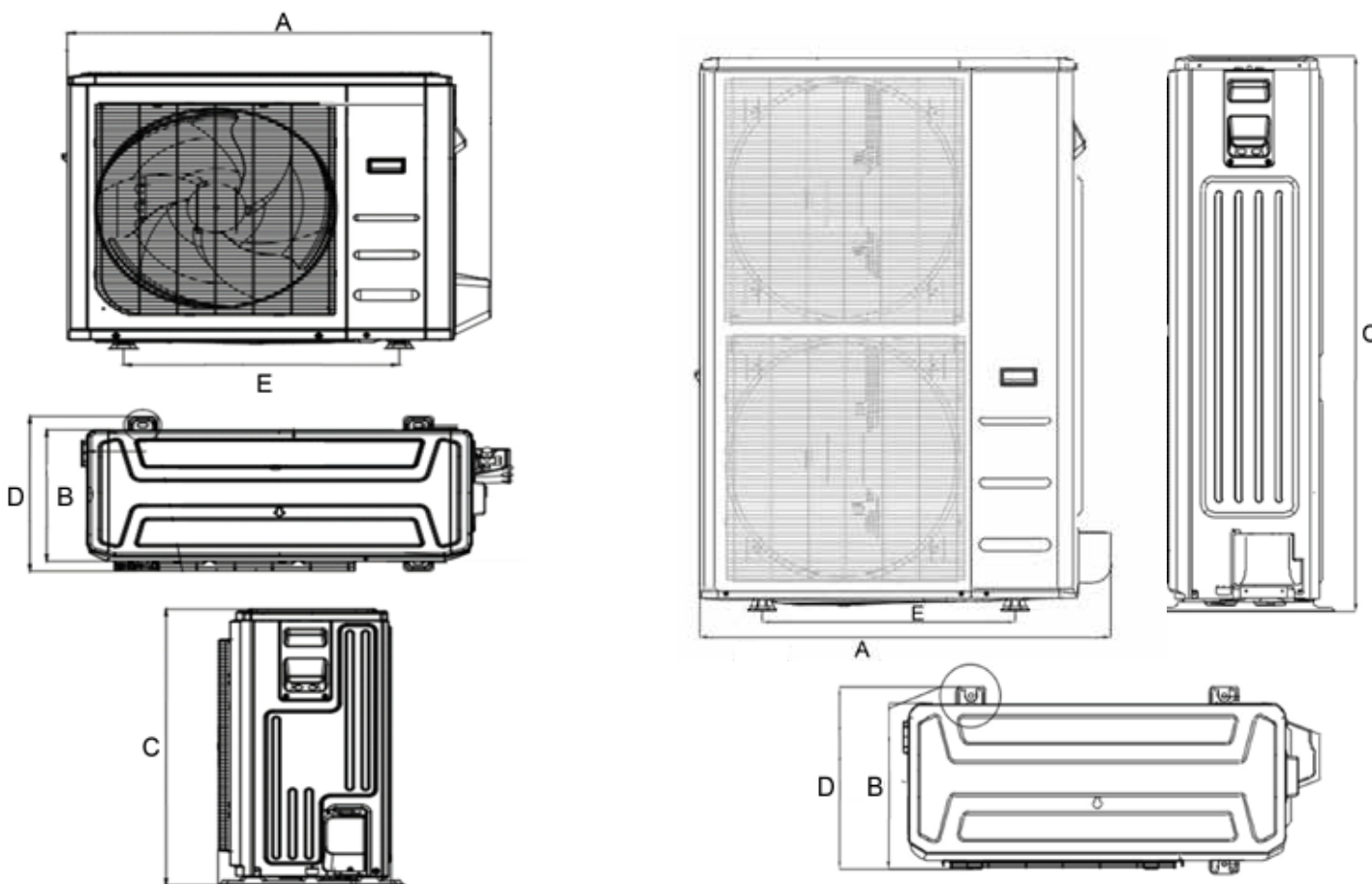
# CMA15\*\*SA Series



## PHYSICAL CHARACTERISTICS & SOUND RATINGS

1=208/230V-1-60

CMA1512SA-1	38	13.25	26.50	14	26.25	83.77/92.59	57
CMA1524SA-1	40.5	16.14	31.89	17	26.50	116.40/127.21	61.5
CMA1536SA-1	40.5	16.14	31.89	17	26.50	146.61/157.85	62.5



"This product complies with all California product labeling laws including, but not limited to, the Safe Drinking Water and Toxic Enforcement Act of 1986, more commonly known as Proposition 65."

*Due to ongoing product improvements, specifications and dimensions are subject to change and correction without notice or incurring obligations. Determining the application and suitability for use of any product is the responsibility of the installer. Additionally, the installer is responsible for verifying dimensional data on the actual product prior to beginning any installation preparations.*

*Third party incentive and rebate programs have precise requirements as to product performance and certification. All products meet applicable regulations in effect on date of manufacture; however, certifications are not necessarily granted for the life of a product. Therefore, it is the responsibility of the applicant to determine whether a specific model qualifies for these incentive/rebate programs.*